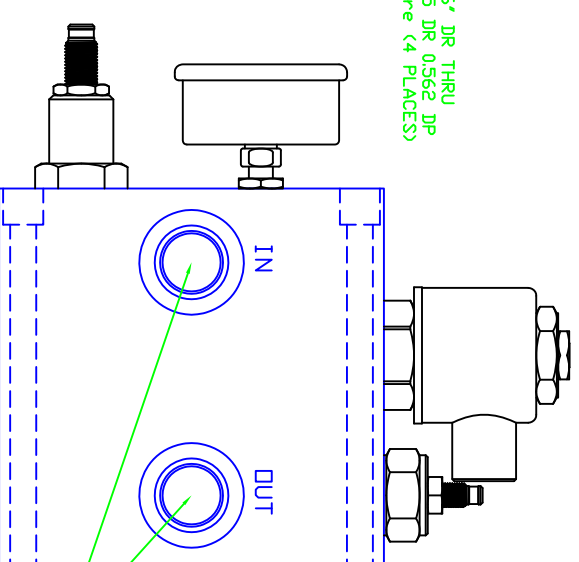
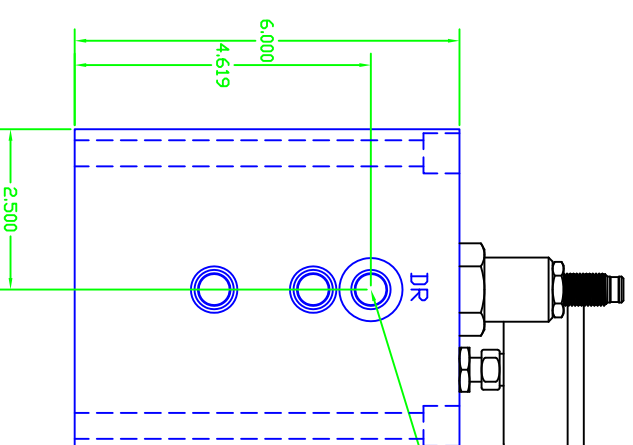


0.406" DR THRU  
0.625 DR 0.562 DP  
C/bore (4 PLACES)



SAE-12 D-RING PORT  
1.0625"-12 (4 PLACES)



SAE-6 D-RING PORT  
0.562"-18